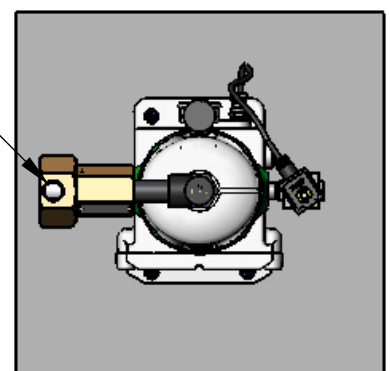
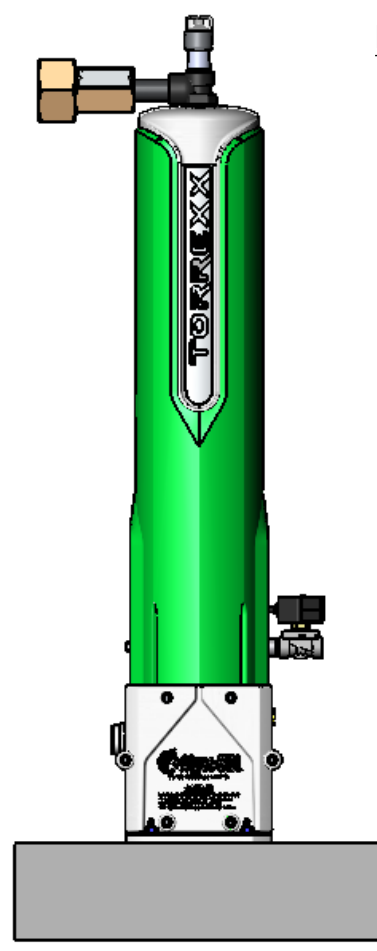
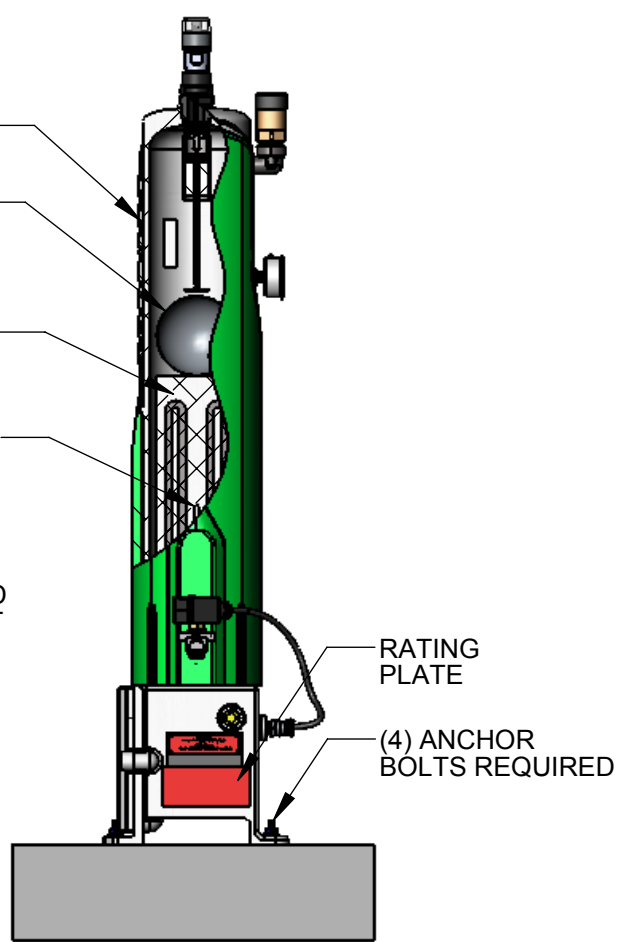
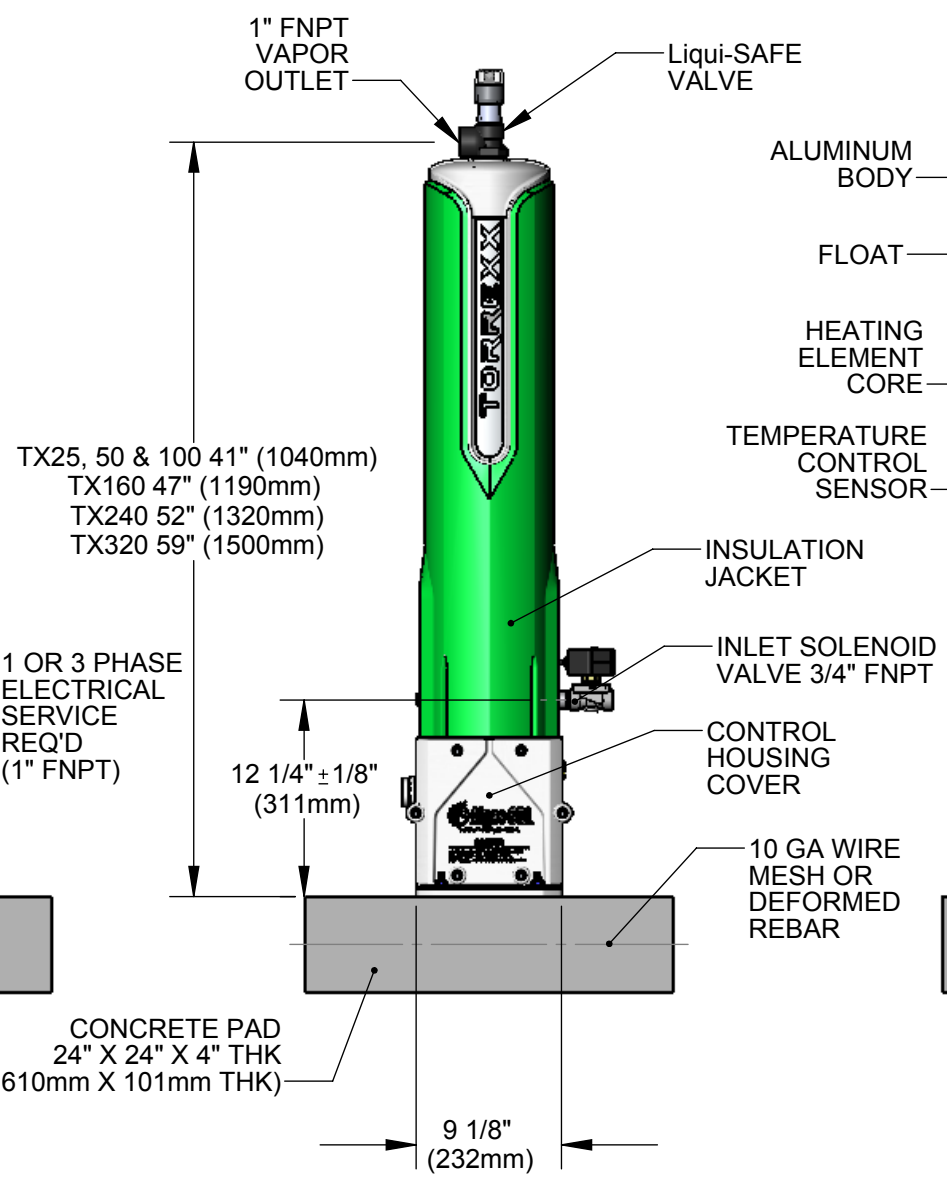
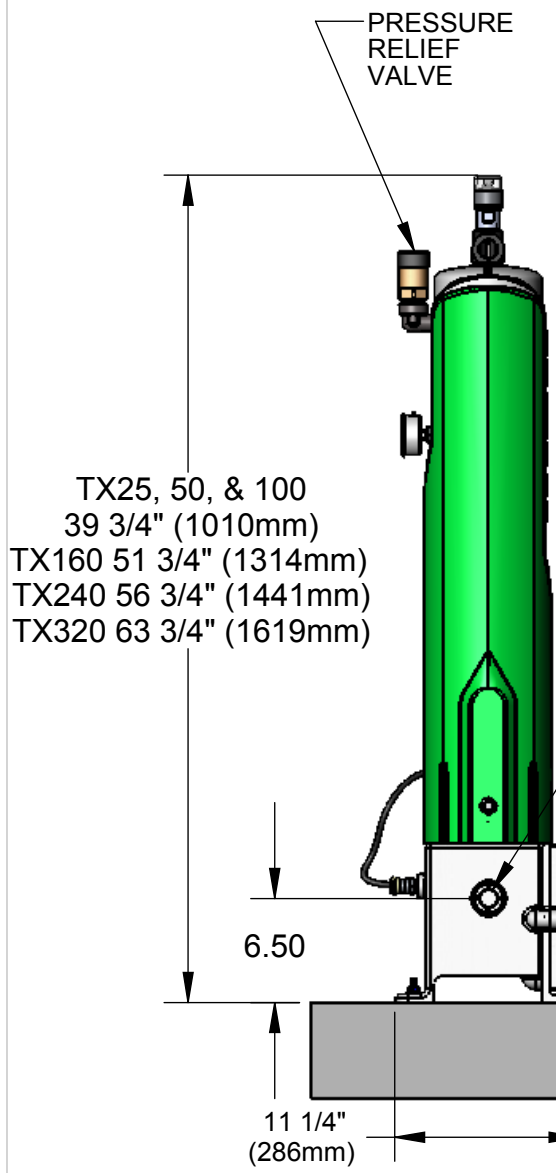


TORREXX ECONOMY VALVE 1" FNPT OUTLET



ECONOMY OPTION TOP VIEW



ECONOMY OPTION FRONT VIEW

NOTES

1. CONFORMS TO HAZARDOUS RATING:
 - EEx d II B T3 / Ex II 2G
 - DNV-2006-OSL-ATEX-0166Q
2. RELIEF VALVE SETTING 17.24 BARG (250PSIG)
3. CONFORMS TO PRESSURE EQUIPMENT DIRECTIVES:
 - PED-H-40065-2008-CE-USA-NA
4. SUITABLE FOR INDOOR/OUTDOOR INSTALLATION
5. AVOID DRY RUBBING OF THE INSULATION JACKET. TO AVOID ELECTROSTATIC CHARGING HAZARD, ALWAYS USE A DAMP CLOTH FOR CLEANING
6. PRESSURE VESSEL RATED AT 17.24 BARG (250PSIG)



151 S. Michigan St., Seattle, Washington. USA 98108
 Tel: (206) 789-5410 Fax: (206) 789-5414

Title: TORREXX SERIES ELECTRIC VAPORIZER LPG NEMKO		Drawn By: P. LEUNG	Date: 10-23-06
Size: B	Dwg. No.: 5001-6003	Checked By:	Scale: NONE.
		Approved By:	Job No.: A.S.D.I. STD.
		Part Number:	N/A
		Sht. No.: 1 of 1	Rev.: